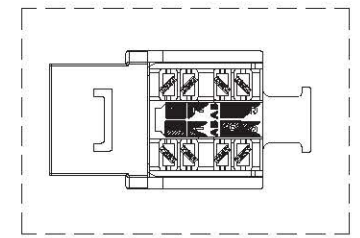
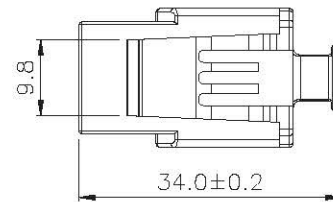
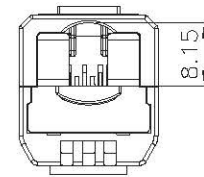
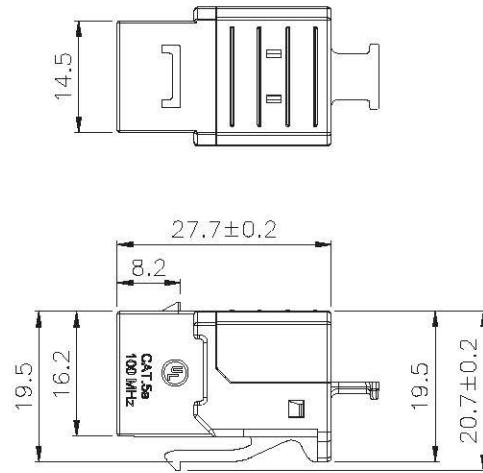
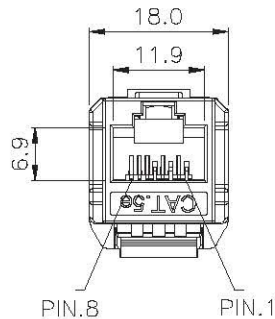


SCALE 1/1



Specification :

- Material :
1. RJ45 Jack :
    - 1-1. Housing : ABS+PC, UL 94-V0, with optional color.
    - 1-2. Contact Bracket : PBT+Glass Fiber, UL 94V-0, with black color.
  2. RJ45 Jack Contact :
    - 2-1. Material : Phosphor Bronze with Nickel plated.
    - 2-2. Finish : 50 micro-inch Gold plated on Plug contact area.
  3. IDC :
    - 3-1. Housing : PC+Glass Fiber, Grey color(RAL7035), UL 94V-2.
    - 3-2. Terminal : Phosphor Bronze with Tin plated.
  4. IDC Cap : PC 1250Y UL 94V-2, Transparent black.
  5. PCB : FR4, UL 94V-0.

- Performance :
- a. T568A & T568B wiring.
  - b. Insertion Force : 20N max. (IEC 60603-7-4)
  - c. Retention Strength : 7.7 kg between Jack and Plug.
  - d. Operating temperature : -10°C to 60°C. (ISO/IEC 11801, ANSI/TIA 568 C.2)
  - e. Life(mating cycles) :
    - e-1. Jack : 750 cycles min. (ISO/IEC 11801, IEC 60603-7-4)
    - e-2. IDC : Suitable for 23-26 AWG stranded and solid wire, compatible with 110 punch down tool.
  - f. The Cat.5e transmission performance is in compliance with the ANSI/TIA 568 C.2 standard.

Remark : AADCD01113030XX

(1)XX : Housing Color  
01=Black, 05=White,

GENERAL TOLERANCE OF DIMENSIONS X.XXX ±0.005 X.XX ±0.05 X.X ±0.1	DRAWING	04.JUL.2014	WESLEY	 www.allconnectors.de info@allconnectors.de Tel.: 0049 711 7009503 Fax: 0049 711 7009504 70796 Filderstadt • Germany Kette 14/11T. 23	
	CHECK	04.JUL.2014	DAY		
	APPROVAL	04.JUL.2014	JAIMY	3J01-A01-00006	
		DATE	NAME	ITEM NO.: AADCD01113030XX	
	SCALE	1/1 (A4)	UNIT	mm	DES.: CAT.5e UNSHIELDED KEYSTONE JACK
			DRAWING NO.	AADCD01113030XX KJ32-CE-US-XX (SA5)	
			DRAWING CLASSIFICATION	S	SHEET 1 OF 1

